

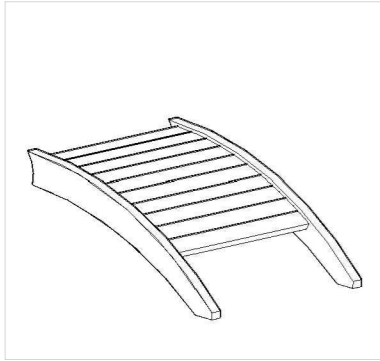
# ASSEMBLY INSTRUCTION

FOOT STOOL FOR ADIRONDACK CHAIR

A

B

C



1 PC



2 PCS (L&R)

M9X55 (SS)



4 PCS

