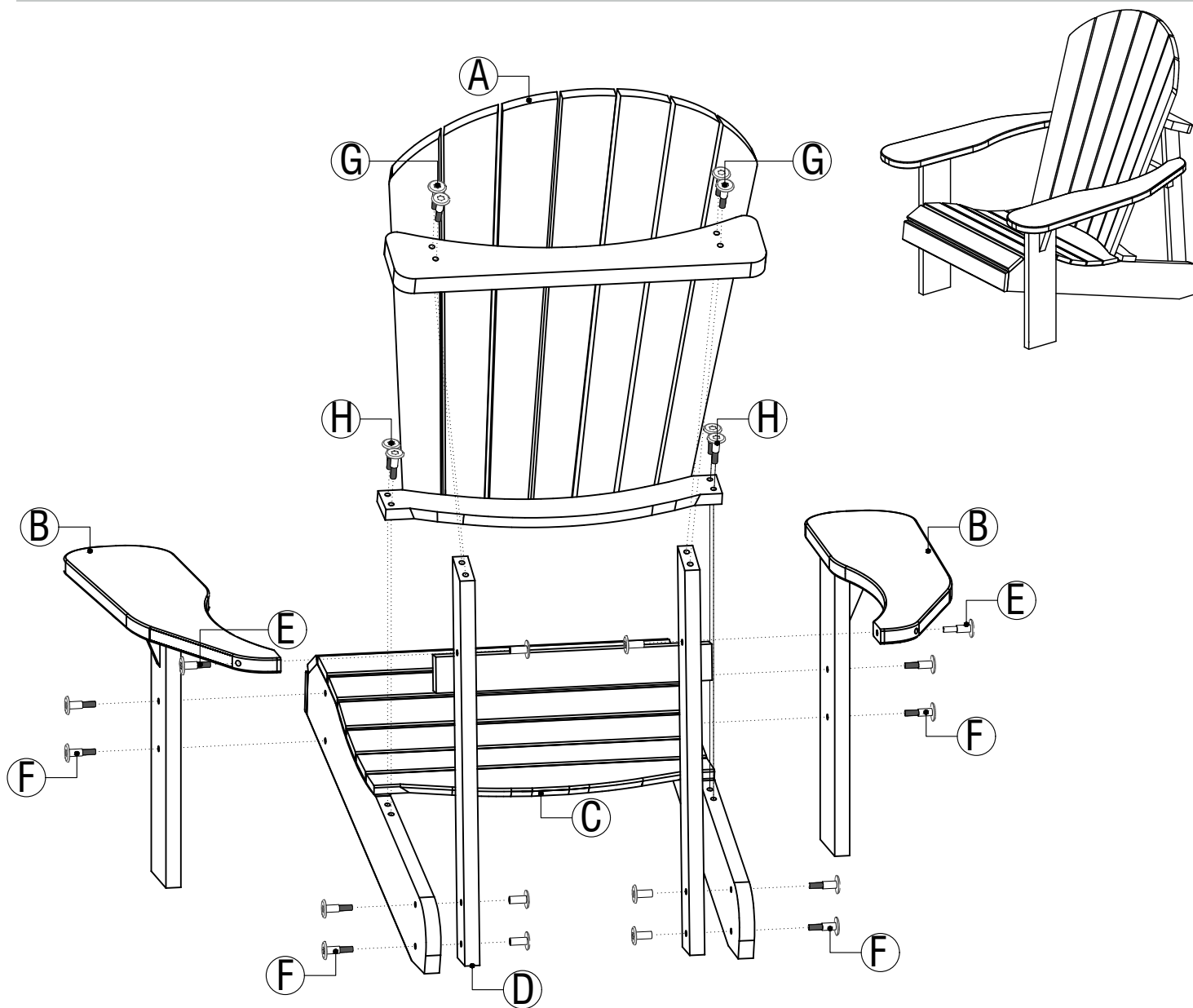
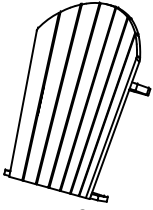
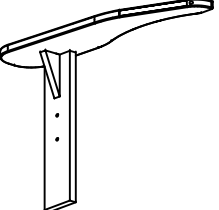
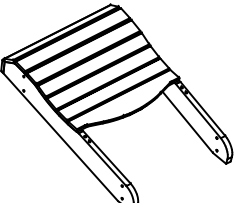
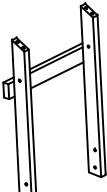
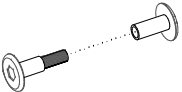
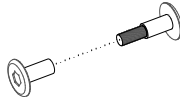




ASSEMBLY INSTRUCTION

LONG ISLAND ADIRONDACK CHAIR

PARTS & COMPONENT



| | |
|---|---|
| <p>A</p>  <p>1 PC</p> | <p>B</p>  <p>2 PCS (L&R)</p> |
| <p>C</p>  <p>1 PC</p> | <p>D</p>  <p>1 PC</p> |
| <p>E</p>  <p>SS M9X70 2 PCS</p> | <p>F</p>  <p>SS M9X50 8 PCS</p> |
| <p>G</p>  <p>JCBC M6X40 4 PCS</p> | <p>H</p>  <p>JCBC M8X40 4 PCS</p> |